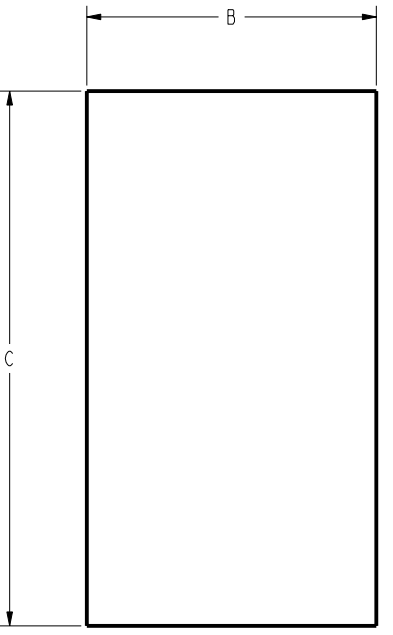
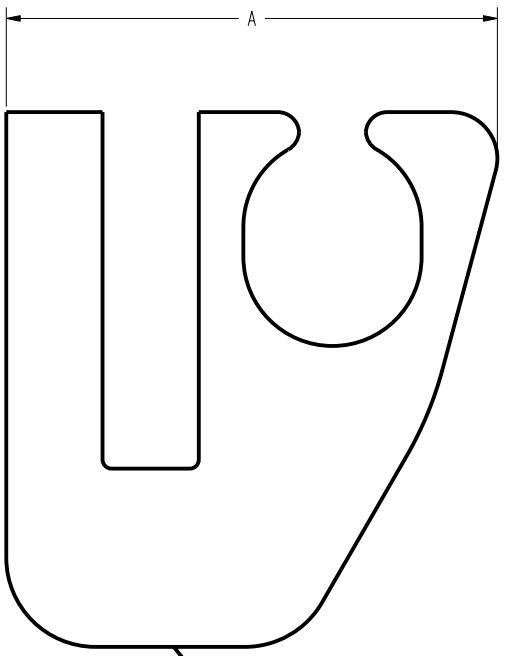
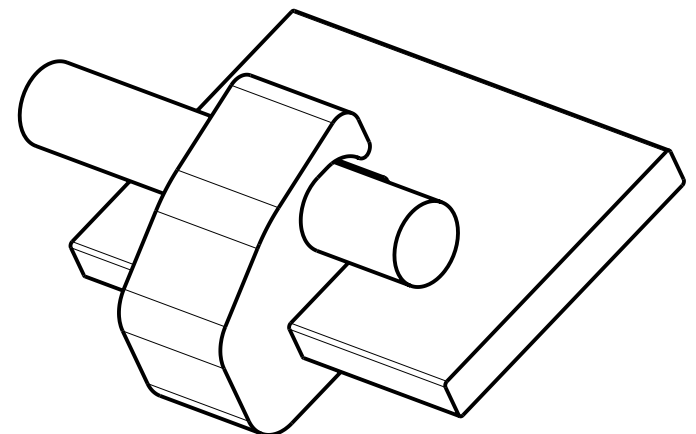


DRAWING NO.
SD214246-01

7 6 5 4 3 2 1

CONDUCTOR ACCOMMODATION					
CATALOG NO.	RUN	TAP	A	B	C
YG14BTC26	1/4" [6.35mm] THICK COPPER BUSBAR	2/0 AWG FLEX DOWN TO #2 AWG STR COPPER	1.378" [35mm]	.812" [20.6mm]	1.500" [38.1mm]
YG14BTC28	1/8" [3.18mm]-1/4" [6.35mm] THICK COPPER BUSBAR	4/0 AWG STR TO 1/0 AWG STR COPPER	1.378" [35mm]	.812" [20.6mm]	1.500" [38.1mm]

REV	DATE	DESCRIPTION	ECO	BY	C'H'K.
C	09/17/2011 00:00:00 AM	REVISED PER ECO 24085.	24085	MRA	MA



BURNDY
YG14BTC26
U1105
2/0 AWG 1/4 CU.
BURIAL

TYPICAL STAMPING

NOTES:

- MATERIAL: PURE WROUGHT COPPER ALLOY.
- CONDUCTOR AND BUSBAR GROOVES PREFILLED WITH PENETROX® S4.
- ACCOMMODATES: SEE TABLE.
- INSTALLED WITH ONE CRIMP USING THE U1105 DIE SET, WITH THE Y750 (DIE U1105) OR Y46 (DIE P1105) HYPRESS™ SERIES HYDRAULIC TOOL.
- DIMENSIONS IN BRACKETS [] ARE IN MILLIMETERS ROUNDED TO THE NEAREST MILLIMETER, UNLESS OTHERWISE SPECIFIED, AND ARE FOR REFERENCE ONLY.
- YG14BTC26 IS UL LISTED TO UL467 GROUNDING AND BONDING EQUIPMENT. YG14BTC28 IS cULus (CANADA AND USA) LISTED TO UL467 GROUNDING AND BONDING EQUIPMENT. TIN PLATED VERSIONS ARE NOT UL LISTED.

7 TO ORDER TIN PLATED ADD SUFFIX "TN" TO THE END OF THE CATALOG NUMBER. EXAMPLE: YG14BTC28TN

TO ORDER BURNDY® PRC

BUSBAR CONNECTOR			
ITEM NO:	SEE TABLE		
CAT. NO:	YG14BTC-TABLE		
DRAWN BY:	--		
CHECKER:	--		
DSN APPVL:	G.DITR10A 01/01/01		
MFG APPVL:	--		
QA APPVL:	J.BRODEUR 01/01/01		
MKT APPVL:	R.ROBICHEAU 01/01/01		
PROD FAM:	--	DRAWING NO	REV
PROJECT #:	--	SD214246-01	C
DOCUMENT TYPE:	Sales	SIZE	D
REL LEVEL:	Released	SHEET 1 OF 1	



REV: PEO200

8 7 6 5 4 3 2 1